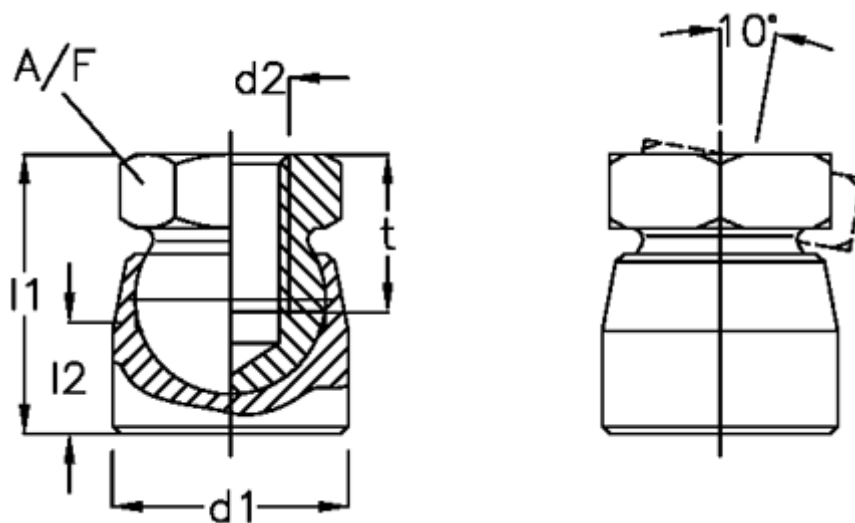


Article number: 20215413

Description: E+G Ball joint thrust pad
GN 346-20-M10

Measures



d1	= 20
d2	= M10
l1	= 22
l2	= 8
NV	= 16
Static load (N)	= 7500
t min	= 11